

# Series 909RPDA

## Reduced Pressure Detector Assemblies

2 1/2" – 10"

### Relief Valve Kits

When ordering specify Ordering Code, Kit No., and Valve Size.

\*\*M1 = Cast iron relief valve.

ORDERING CODE	KIT NO.	SIZE	LIST PRICE
---------------	---------	------	------------

#### Relief Valve Rubber Parts

LEAD FREE	ORDERING CODE	KIT NO.	SIZE	LIST PRICE
	0794111	LFRK 909RPDA-RV	2 1/2" – 3"	\$186.00
	0794112	LFRK 909RPDA-RV	4" – 10"	245.50

Kit consists of: sleeve O-ring, seat O-ring, piston O-ring, stem O-ring, RV disc assembly, diaphragm, piston seal, bottom plug O-ring, adapter O-ring and lubricant.

#### Relief Valve Total

LEAD FREE	ORDERING CODE	KIT NO.	SIZE	LIST PRICE
	0887268	RK 909RPDA VT	Bronze Body 4" – 6"	737.50
	0794115	LFRK 909RPDA-VT	Cast Iron Body 2 1/2" – 3"	361.00
	0794116	LFRK 909RPDA-VT	4" – 10"	673.50

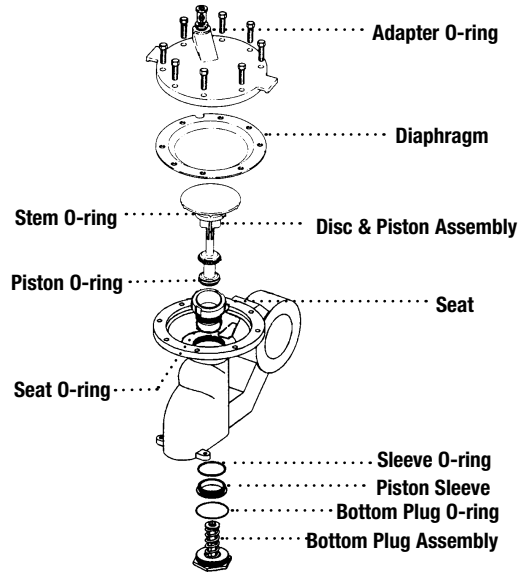
Kit consists of: diaphragm, disc & piston assembly, seat, seat O-ring, adapter O-ring and lubricant. (Sizes 4"–10"M1 includes bottom plug & spring assembly.)

#### Total Rubber Parts Kits

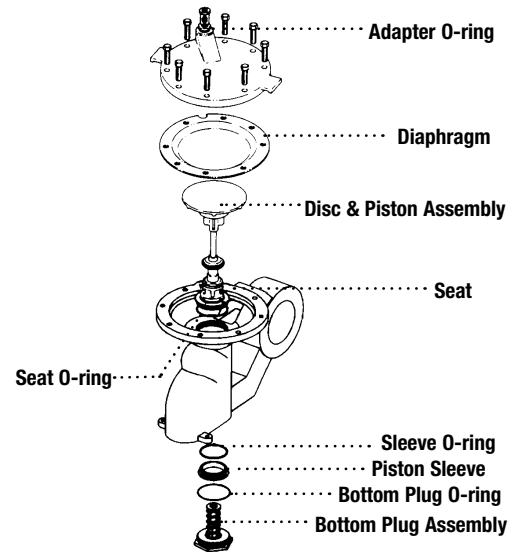
LEAD FREE	ORDERING CODE	KIT NO.	SIZE	LIST PRICE
	0794123	LFRK 909RPDA-RT	8"	503.00
	0794119	LFRK 909RPDA-RT	2 1/2" – 3"	330.00
	0794120	LFRK 909RPDA-RT	4"	436.50
	0794121	LFRK 909RPDA-RT	6"	458.00
	0794125	LFRK 909RPDA-RT	10"	598.00

Kit consists of: upper and lower check stem O-ring (6" only), check disc, cover O-ring, sleeve O-ring, piston O-ring, RV disc assembly, diaphragm, piston seat and lubricant.

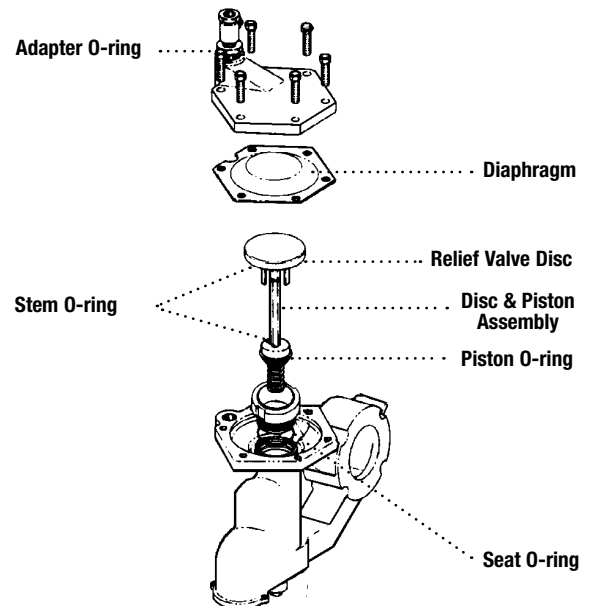
4" – 10"



8"M1, 10"M1



2 1/2", 3"



# Series 909RPDA

## Reduced Pressure Detector Assemblies

2 1/2" – 10"

### Check valve kits

When ordering specify Ordering Code, Kit No., and Valve Size.

ORDERING CODE	KIT NO.	SIZE	LIST PRICE
---------------	---------	------	------------

#### First Check Kits

0794126	LFRK 909RPDA-CK1	2 1/2" – 3"	\$557.50
0794127	LFRK 909RPDA-CK1	4"	775.50
0794128	LFRK 909RPDA-CK1	6"	1,400.00
0794129	LFRK 909RPDA-CK1	8"	2,527.00
0794130	LFRK 909RPDA-CK1	10"	3,751.00

#### Second Check Kits

0794131	LFRK 909RPDA-CK2	2 1/2" – 3"	445.00
0794132	LFRK 909RPDA-CK2	4"	710.00
0794133	LFRK 909RPDA-CK2	6"	1,225.00
0794135	LFRK 909RPDA-CK2	10"	3,014.00

Kit consists of: disc & spring assembly, cover O-ring and lubricant.

#### First Check Rubber Parts Kits

0887249	RK 909RPDA RC1	2 1/2" – 3"	69.00
0887250	RK 909RPDA RC1	4"	91.00
0887251	RK 909RPDA RC1	6"	103.50
0887252	RK 909RPDA RC1	8"	125.00
0887253	RK 909RPDA RC1	10"	170.00

#### Second Check Rubber Parts Kits

0887254	RK 909RPDA RC2	2 1/2" – 3"	69.00
0887255	RK 909RPDA RC2	4"	91.00
0887256	RK 909RPDA RC2	6"	103.50
0887257	RK 909RPDA RC2	8"	125.00
0887258	RK 909RPDA RC2	10"	170.00

Kit consists of: upper and lower check stem O-ring (6" only), check disc, cover O-ring and lubricant.

#### Seat Kits

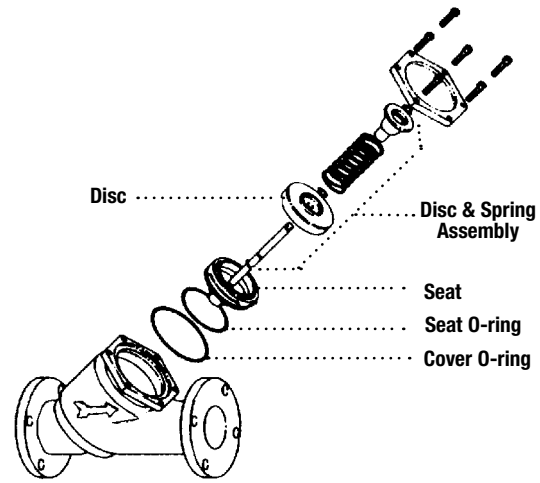
0794136	LFRK 909RPDA-S	2 1/2" – 3"	176.50
0794137	LFRK 909RPDA-S	4"	257.50
0794138	LFRK 909RPDA-S	6"	441.00
0794139	LFRK 909RPDA-S	8"	1,051.00
0794140	LFRK 909RPDA-S	10"	1,227.00

Kit consists of: seat, seat O-ring, cover O-ring, retainer wires and lubricant.

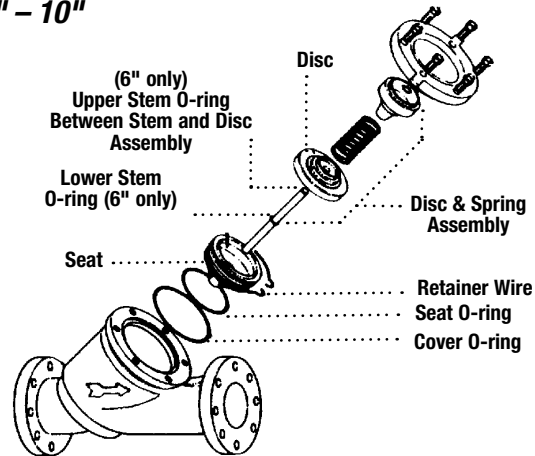
#### Cover Kits for Checks

0887745	RK 909RPDA C	2 1/2" – 3"	233.00
0887746	RK 909RPDA C	4"	261.00
0887747	RK 909RPDA C	6"	364.00
0887748	RK 909RPDA C	8"	595.50
0887749	RK 909RPDA C	10"	1,332.00

2 1/2" – 3"



4" – 10"



#### ⚠ WARNING

Spring assembly is factory assembled. DO NOT DISASSEMBLE.

\*The wetted surface of this product contacted by consumable water contains less than 0.25% of lead by weight.