

Series 007, LF007

Double Check Valve Assemblies

Sizes 1/2" - 2"

Repair Kits

When ordering specify Ordering Code, Kit No., and Valve Size.

ORDERING CODE	KIT NO.	SIZE	LIST PRICE
Total Repair Kits			
0887033	RK 007-T	1/2"	\$123.00
0887724	RK 007M2-T	3/4"	87.00
0888554	RK 007M3-T	3/4"	82.50
0887027	RK 007-T	3/4" - 1"	186.00
0887044	RK 007M1-T	3/4" - 1"	178.00
0887723	RK 007M2-T	1 1/4" - 1 1/2"	338.50
0887034	RK 007-T	1 1/2" - 2"	358.50
0887192	RK 007M1-T	1 1/2" - 2"	347.50

Kit consists of: first check repair kit, second check repair kit, retainer (if plastic)

Check Kits: 1st or 2nd Check

ORDERING CODE	KIT NO.	SIZE	LIST PRICE
0887193	RK 007 CK4	1/2"	69.00
0887377	RK SS007 CK4	1/2"	69.00
0887373	RK SS007M1 CK4	1"	99.25
0887026	RK 007M1 CK4	3/4" - 1"	99.25

1st Check

ORDERING CODE	KIT NO.	SIZE	LIST PRICE
0887045	RK 007M2 CK1	3/4"	48.50
0888550	RK 007M3 CK1	3/4"	47.00
0887393	RK SS007M2 CK1	3/4"	48.50
0888070	RK SS007M3 CK1	1/2" - 3/4"	48.50
0887023	RK 007 CK1	3/4" - 1"	103.00
0887025	RK 007 CK1	1 1/2" - 2"	201.50
0887186	RK 007M1 CK1	1 1/2" - 2"	194.00
0887719	RK 007M2 CK1	1 1/4" - 1 1/2"	189.50

2nd Check

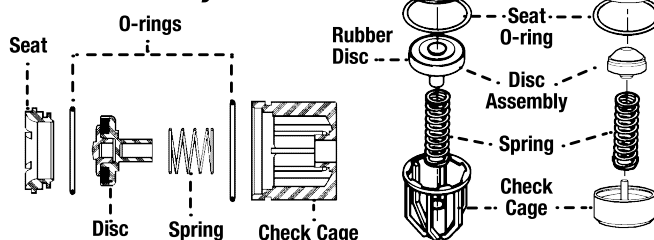
ORDERING CODE	KIT NO.	SIZE	LIST PRICE
0887046	RK 007M2 CK2	3/4"	48.50
0888551	RK 007M3 CK2	3/4"	47.00
0888071	RK SS007M3 CK2	1/2" - 3/4"	48.50
0887024	RK 007 CK2	3/4" - 1"	103.00
0887028	RK 007 CK2	1 1/2" - 2"	201.50
0887187	RK 007M1 CK2	1 1/2" - 2"	194.00
0887720	RK 007M2 CK2	1 1/4" - 1 1/2"	189.50

Stainless Steel 1st or 2nd Check

ORDERING CODE	KIT NO.	SIZE	LIST PRICE
0887022	RK 007 CK1 SS	3/4" - 1"	352.50
0887030	RK 007 CK2 SS	3/4" - 1"	352.50
0887032	RK 007M1 CK4 SS	3/4" - 1"	338.00
0887035	RK 007 CK2 SS	1 1/2" - 2"	493.00
0887189	RK 007M1 CK1 SS	1 1/2" - 2"	474.00
0887190	RK 007M1 CK2 SS	1 1/2" - 2"	474.00

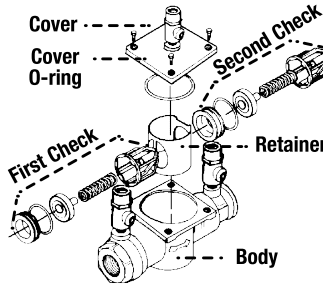
Kit consists of: seat; seat O-ring; disc assembly; spring; check cage; cover O-ring.

3/4" 007M3 Check Assembly

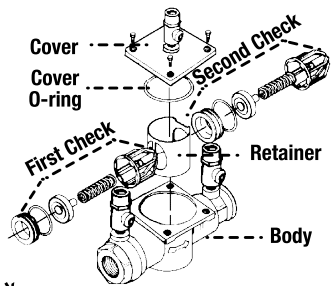


Rubber seat disc can be replaced. However, disc holder and disc retainer are permanently bonded to prevent failure.

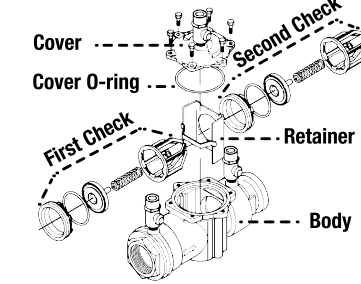
1/2" - 1" 007



1 1/4" - 1 1/2" 007M2



2" 007M1



ORDERING CODE	KIT NO.	SIZE	LIST PRICE
Cover Kit			
0887195	RK 007 C	1/2"	\$101.50
0887379	RK SS007 C	1/2"	288.50
0888073	RK SS007M3 C	1/2" - 3/4"	321.50
0794005	LFK 007M2/M3-C	3/4"	120.00
0887380	RK SS007M2 C	3/4"	321.50
0887381	RK SS007M1 C	1"	465.50
0794004	LFK 007M1 C	3/4" - 1"	174.00
0887191	RK 007M1 C	1 1/2" - 2"	255.00
0887722	RK 007M2 C	1 1/4" - 1 1/2"	225.50

Kit consists of: cover and cover O-ring.

Complete Rubber Parts

ORDERING CODE	KIT NO.	SIZE	LIST PRICE
0887194	RK 007 RT	1/2"	42.50
0887378	RK SS007 RT	1/2"	42.50
0888072	RK SS007M3 RT	1/2" - 3/4"	42.50
0887394	RK SS007M2 RT	3/4"	42.50
0887043	RK 007M2 RT	3/4"	42.50
0888552	RK 007M3 RT	3/4"	40.75
0887374	RK SS007M1 RT	1"	42.50
0887040	RK 007 RT	3/4" - 1"	43.25
0887042	RK 007M1 RT	3/4" - 1"	42.50
0887041	RK 007 RT	1 1/2" - 2"	128.50
0887188	RK 007M1 RT	1 1/2" - 2"	58.25
0887721	RK 007M2 RT	1 1/4" - 1 1/2"	58.25

Kit consists of: cover O-ring; 2 disc assemblies and 2 seat O-rings.

*The wetted surface of this product contacted by consumable water contains less than 0.25% of lead by weight.

Series 007, LF007, 007DCDA

Double Check Valve Assemblies Double Check Detector Assemblies

Sizes 2" – 3"

Repair Kits

When ordering specify Ordering Code, Kit No., and Valve Size.

ORDERING CODE	KIT NO.	SIZE	LIST PRICE
---------------	---------	------	------------

First Check Kit

LEAD FREE	ORDERING CODE	KIT NO.	SIZE	LIST PRICE
	0887980	RK 007DCDA CK1	2"	\$203.50
	0794006	LFRK 007 CK1	2 1/2", 3"	982.50
	0794007	LFRK 007DCDA CK1	2 1/2", 3"	1,021.00

Kit consists of: seat, seat O-ring, disc assembly, spring, spring retainer, check cage and cover O-ring.

Second Check Kit

LEAD FREE	ORDERING CODE	KIT NO.	SIZE	LIST PRICE
	0887981	RK 007DCDA CK2	2"	184.50
	0794008	LFRK 007 CK2	2 1/2", 3"	935.00
	0794009	LFRK 007DCDA-CK2	2 1/2", 3"	935.00

Kit consists of: seat, seat O-ring, disc assembly, spring, spring retainer, check cage and cover O-ring.

Complete Rubber Parts

LEAD FREE	ORDERING CODE	KIT NO.	SIZE	LIST PRICE
	0887982	RK 007DCDA RT	2"	55.50
	0887287	RK 007 RT	2 1/2", 3"	215.50
	0887967	RK 007DCDA RT	2 1/2", 3"	215.50

Kit consists of: 2 seat discs, 2 seat O-rings, and cover O-ring.

Cover Kit

LEAD FREE	ORDERING CODE	KIT NO.	SIZE	LIST PRICE
	0887983	RK 007DCDA C	2"	242.00
	0887288	RK 007 C	2 1/2", 3"	661.00
	0887970	RK 007DCDA C	2 1/2", 3"	661.00

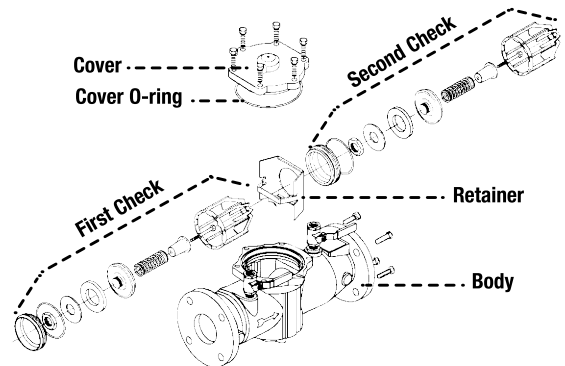
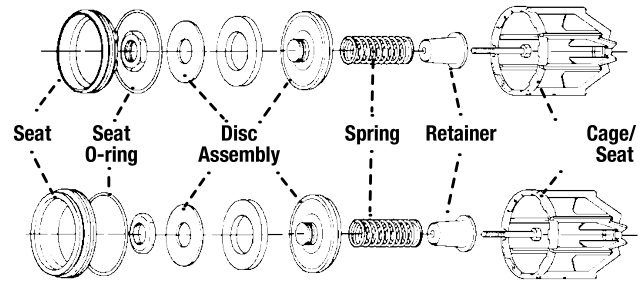
Kit consists of: cover, cover O-ring.

Seat Kit

LEAD FREE	ORDERING CODE	KIT NO.	SIZE	LIST PRICE
	0887984	RK 007DCDA S1	2"	153.50
	0887985	RK 007DCDA S2	2"	153.50
	0887289	RK 007 S1	2 1/2", 3"	166.50
	0887290	RK 007 S2	2 1/2", 3"	166.50
	0887968	RK 007DCDA S1	2 1/2", 3"	166.50
	0887969	RK 007DCDA S2	2 1/2", 3"	166.50

Kit consists of: seat, seat O-ring and cover O-ring.

Check Assemblies



*The wetted surface of this product contacted by consumable water contains less than 0.25% of lead by weight.